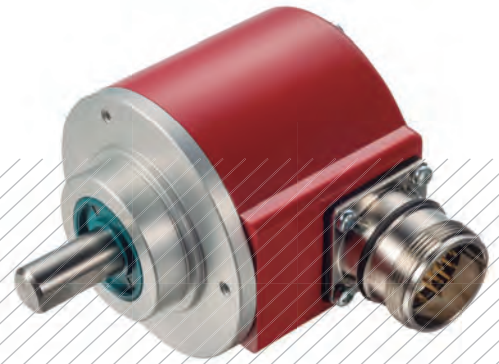




We set Impulses. Worldwide.

ENCODERS

INCREMENTAL ENCODER SHAFT



We have a vast range of shaft encoders, from miniature encoders of 24 mm diameter till Heavy duty models of 90 mm.

Our departments of optics, mechanics, electronics and manufacturing, with specialized engineering, will answer to all your demands, optimizing the cost/benefit and the delivery time, even for small batches and samples.



SERIE 10

- > External diameter 58 mm
- > Shaft from 6 to 12 mm
- > Resolution up to 10.000 pulses per turn
- > Protection class IP65 according to DIN 40050
- > All types of output signals available HTL and SIN/COS
- > Cable connection (any cable length available) or industrial connector



SERIE 58

- > External diameter 58 mm
- > Shaft of 6 mm. Fixing by syncro flange
- > Resolution up to 10.000 pulses per turn
- > Protection class IP65 according to DIN 40050
- > All types of output signals available HTL and SIN/COS
- > Cable connection (any cable length available) or industrial connector



SERIE 30

- > External diameter 90 mm
- > Shaft of 12 mm
- > Resolution up to 10.000 pulses per turn
- > Protection class IP65 according to DIN 40050
- > Cable connection (any cable length available) or industrial connector



SERIE 64

- > External diameter 58 mm
- > Conical shaft 1:10
- > Resolution up to 10.000 pulses per turn
- > Protection class IP54 according to DIN 40050
- > All types of output signals available HTL and SIN/COS
- > Hexagonal cable connection (any cable length available) or industrial connector at the end of the cable



SERIE 36

- > External diameter 36.5 mm
- > Shaft of 6 mm
- > Resolution up to 3.600 pulses per turn
- > Protection class IP64 according to DIN 40050
- > All types of output signals available
- > Cable connection (any cable length available) or industrial connector at the end of the cable



SERIE 26

- > External diameter 24 mm
- > Shaft of 4 or 6 mm
- > Resolution up to 1024 pulses per turn
- > Protection class IP64 according to DIN 40050
- > All types of output signals available
- > Cable connection (any cable length available) or industrial connector at the end of the cable

LOW COST ENCODERS



SERIE 11

- > External diameter 58 mm
- > Shaft of 10 mm
- > Resolution up to 2500 pulses per turn
- > Protection class IP65 according to DIN 40050
- > All types of output signals available
- > Cable connection (any cable length available) or industrial connector at the end of the cable



SERIE 20

- > External diameter 58 mm
- > Shaft of 6 mm
- > Resolution up to 1024 pulses per turn
- > Protection class IP54 according to DIN 40050
- > All types of output signals available
- > Cable connection (any cable length available) or industrial connector at the end of the cable



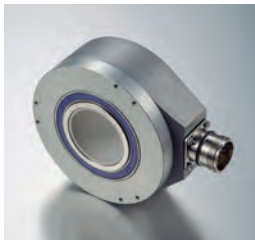
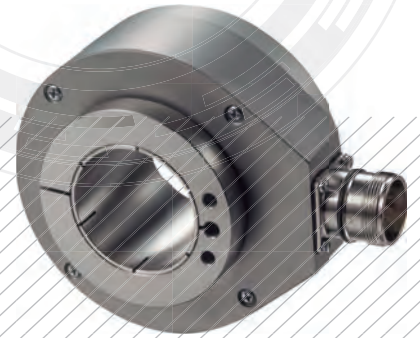
SERIE 21

- > External diameter 40 mm
- > Shaft of 6 mm
- > Resolution up to 500 pulses per turn
- > Protection class IP41 according to DIN 40050
- > All types of output signals available
- > Cable connection (any cable length available) or industrial connector at the end of the cable

ENCODER INCREMENTAL

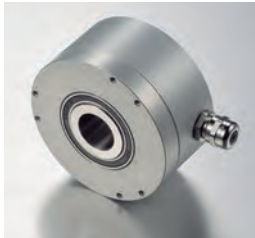
HOLLOW SHAFT

We have a large product range of hollow shaft incremental encoders, from 4 to 42 mm and also many accessories for the correct adjustment of the encoder on the machine.



SERIE 80

- > External diameter 100 mm
- > Hollow shaft from 30 to 42 mm
- > Resolution up to 5.000 pulses per turn
- > Protection class IP65 according to DIN 40050
- > All types of output signals available
- > Fixed to the shaft with frontal or rear setscrews
- > Anti-rotation system using elastic flange
- > Cable connection (any cable length available) or industrial connector



SERIE 77

- > External diameter 77 mm
- > Hollow shaft from 15 to 25 mm
- > Resolution up to 5.000 pulses per turn
- > Protection class IP65 according to DIN 40050
- > All types of output signals available
- > Fixed to the shaft with frontal or rear setscrews
- > Anti-rotation system using elastic flange
- > Cable connection (any cable length available) or industrial connector



SERIE 19

- > External diameter 58 mm
- > Blind Hollow shaft from 6 to 14 mm
- > Resolution up to 10.000 pulses per turn
- > Protection class IP65 according to DIN 40050
- > All types of output signals available: HTL and SIN/COS
- > Frontal or rear fixing system
- > Cable connection (any cable length available) or industrial connector



SERIE 59

- > External diameter 58 mm
- > Hollow shaft up to 14 mm
- > Resolution up to 10.000 pulses per turn
- > Protection class IP65 according to DIN 40050
- > All types of output signals available: HTL and SIN/COS
- > Frontal or rear fixing system
- > Cable connection (any cable length available) or industrial connector



SERIE 22

- > External diameter 36.5 mm
- > Blind Hollow shaft up to 6 mm
- > Resolution up to 3600 pulses per turn
- > Protection class IP64 according to DIN 40050
- > Fixing system by elastic flange or pin torque
- > Cable connection or industrial connector at the end of the cable



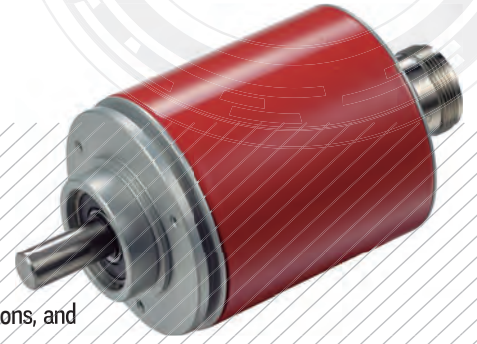
SERIE 28

- > External diameter 24 mm
- > Blind Hollow shaft of 4 or 6 mm
- > Resolution up to 1024 pulses per turn
- > Protection class IP64 according to DIN 40050
- > Fixing system by pin torque
- > Cable connection or industrial connector at the end of the cable

ABSOLUTE ENCODERS

Hohner Automaticos has a complete range of absolute encoders, singleturn and multiturn, with different interfaces and different communication protocols.

The flexibility of our products is allowing us to offer to our customers tailor made mechanical executions, and programmable encoders to adjust them to every application.



PARALEL ABSOLUTE ENCODERS

- > Singleturn, multiturn and programmable
- > External diameter: from 58 to 90mm
- > Shaft or hollow shaft
- > Protection class up to IP67
- > Configurable, reset or direction
- > Cable or connector output

SSI ABSOLUTE ENCODERS



- > Maximum resolution up to 25 bits
- > Singleturn, multiturn and programmable
- > External diameter: from 58 to 90mm
- > Shaft, blind shaft or hollow shaft
- > Protection class up to IP67
- > Binary, gray codes and configurable via cable or switch
- > Cable or connector output

ABSOLUTE ANALOGIC ENCODERS

- > Analogical output 4..20mA, 0..20mA or 0..10V
- > 10 or 12 bits resolution
- > Singleturn, multiturn and programmable
- > External diameter: from 58 to 90mm
- > Shaft, hollow shaft or blind hollow shaft
- > Protection class up to IP67
- > Cable or connector output

ABSOLUTE + INCREMENTAL ENCODERS



- > BISS interface is a serial bidirectional communication protocol
- > Maximum singleturn resolution up to 17 bits
- > Incremental resolution 2048 SIN/COS
- > BISS or SSI + SIN/COS or SIN/COS + SIN/COS
- > Singleturn or multiturn and programmable
- > 58 mm external diameter
- > Conical shaft, shaft, blind hollow shaft or hollow shaft
- > Protection up to IP65
- > Cable or connector output



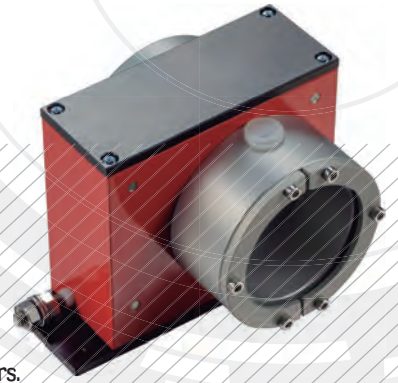
ABSOLUTE ENCODERS FIELDBUS



- > Hohner Automáticos is offering all the Profibus encoders: Profinet, Devicenet, CanOpen, etc

LINEAR MEASUREMENT DRAW WIRE (ENCO-METER)

ENCO-METER systems allow for a simple, fast and economic way, the adaptation of rotating sensor devices (encoders, and potentiometers etc.) of linear distance measurements of up to 10 meters for machines with slow movement, without any sharp acceleration and with an average number of maneuvers.



TECHNICAL SPECIFICATIONS	EM4	EM8	EM10
REFERENCE	90.1404	90.1808	90.1810
MEASUREMENT RANGE, UP TO (mm)	4.000 mm	8.000 mm	10.000 mm
TRAVEL	200mm +/- 0.06/ per turn	250mm +/- 0.06/ per turn	300mm +/- 0.06/ per turn
CABLE	Ø 0,61mm stainless steel		

LINEAR MEASURING MAGNETIC SYSTEM



- > Magnetic detection without contact
- > Easy assembly
- > Metallic housing
- > External or integrated reference signal

TYPE	MSL	MSM	MSH
ACCURACY	± 40 µm	± 15 µm	± 10 µm
POLAR PITCH	5+5	2+2	1+1
RESOLUTION	up to 5 µm	up to 1 µm	up to 0,5 µm
PROTECTION	IP67	IP67	IP67

ACCESSORIES

We can offer you a complete range of accessories, so that you don't have to adapt your machine to our encoder...this is our job!

- > Flexible couplings
- > Flanges
- > Mounting bells
- > Antirotation system
- > Support angles
- > Measuring wheels
- > Connectors
- > Pre-assembled cables





miniature encoders

Serie 22 | Serie 26 | Serie 27 | Serie 28 | Serie 36





MINIATURE ENCODERS

SHAFT AND HOLLOW SHAFT

Hohner Automaticos has a complete range of miniature incremental shaft and hollow shaft encoders, from 4 to 6 mm.



SERIE 22

- > External diameter 36,5 mm
- > Hollow shaft up to 6 mm
- > Resolution up to 3.600 pulses per turn
- > Protection class IP64 according to DIN EN 60529
- > All types of output signals available
- > Fixing system by elastic flange or pin torque
- > Cable connection or industrial connector at the end of the cable



SERIE 26

- > External diameter 24 mm
- > Shaft of 4 or 6 mm
- > Resolution up to 1.024 pulses per turn
- > Protection class IP64 according to DIN EN 60529
- > All types of output signals available
- > Cable connection (any cable length available) or industrial connector



SERIE 27

- > External diameter 24 mm
- > Shaft from 4 to 6 mm
- > Resolution up to 1.024 pulses per turn
- > Protection class IP64 according to DIN EN 60529
- > All types of output signals available
- > Cable connection (any cable length available) or industrial connector



SERIE 28

- > External diameter 24 mm
- > Blind Hollow shaft of 4 or 6 mm
- > Resolution up to 1.024 pulses per turn
- > Protection class IP64 according to DIN EN 60529
- > All types of output signals available
- > Fixing system by pin torque
- > Cable connection or industrial connector at the end of the cable



SERIE 36

- > External diameter 36,5 mm
- > Shaft of 6 mm
- > Resolution up to 3.600 pulses per turn
- > Protection class IP64 according to DIN EN 60529
- > All types of output signals available
- > Cable connection (any cable length available) or industrial connector



GERMANY

MAIMONE SENSORTECHNIK
Eisenbahnstr. 84
78573 Wurmlingen
T: +49 (7461) 91072- 57
F: +49 (7461) 91072- 58
info@maimone-sensors.com
www.maimone-sensors.com

SWITZERLAND

MAIMONE SWISS SENSORS
Kreuzplatz 1
8240 Thayngen
T: +41 (76) 44708 81
info@maimone-swiss.com
www.maimone-swiss.com

USA

MAIMONE SENSOR TECHNOLOGY
3840 Kiskadee Drive
East Lansing, 48823, Michigan
T: +1 (517) 5182262
office@maimone-sensors.com

CHINA

MAIMONE SENSORS & SCHALOD
Room 302, Building 22, No. 518,
Xinzhuan Road, Caohejing High-Tech
Park, Songjiang District Shanghai P.R.
T: +86 (21) 37030688-606
F: +86 (21) 33550225
office.china@maimone-sensors.com

We at Maimone Sensortechnik are your competent partner for the design, development and manufacture of technical solutions in the field of sensor technology. Among our wide product range includes incremental and absolute encoders, linear measuring various procedures and all necessary accessories are developed and distributed nationally and internationally.

Maimone Sensortechnik was founded in 1989 in DE - founded Wurmlingen / Baden-Württemberg and is now in the 2nd. Generation owner led. Our main markets are wholesale & retail companies, lifting equipment, aerospace, packaging, food industry and heavy industry, shipbuilding and oil platforms worldwide.

The „Custom Made“ custom design and product development are now ostensibly, here is together produced exactly according to the specifications and requirements of our customers.

**Wir setzen Impulse. Weltweit.
We set Impulses. Worldwide.**

ENCODERS